

Dishwashers

FFBD2406N D/S/W/B

24" Built-In



Product Dimensions

| | |
|------------------------|---------------|
| Height (Adjustable) | 33-1/2" - 35" |
| Width | 24" |
| Depth (Including Door) | 25" |

More Easy-To-Use Features

Attractive Stainless Steel Exterior¹

SpaceWise® Silverware Basket
There's a place for all of your silverware in our multi-compartment, removable basket.

Multiple Cycle Options

Features easy-to-use cleaning cycle options.

Ready-Select® Controls

Easily select options with the touch of a button.

High Temperature Wash

Control Lock Option

Available in:



¹Select models only.

Signature Features

Quiet Dishwasher

Fits-More™ Capacity

Our large capacity, tall-tub dishwasher fits up to 14 place settings so you can wash even more at once.

Energy Saver Dry Option

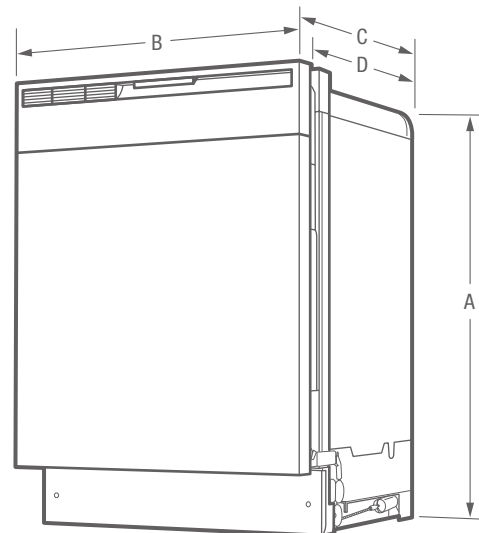
No heat dry option.

2-4-6 Hour Delay Start

Set your dishwasher to run on your schedule.

| Features | |
|-----------------------------------------|--------------------|
| Control Design | Ready-Select* |
| Digital Display | |
| Door Latch | Yes |
| Stay-Put Door Hinge Design | |
| Low Rinse-Aid Indicator Light | |
| Interior Design | Tall Tub |
| Interior Color | White |
| Wash System | Direct Feed |
| Wash Levels/Wash Speeds | 5/1 |
| Sound Package | UltraQuiet™ I |
| Filter | Plastic |
| Filter Trap | Removable |
| Soft Food Disposer | Yes |
| dB Level | 60 |
| Drying System | Static Vent |
| Cycles | |
| Number of Cycles | 3 |
| Heavy | Yes |
| Normal | Yes |
| Light | Yes |
| Delicate | |
| Favorite | |
| China/Crystal | |
| Rinse Only | |
| Energy Saver Plus | |
| Upper Rack Wash Only | |
| Cycle Indicator Light | Yes |
| Control Lock | Yes |
| Options | |
| Heat/No Heat Dry | Yes |
| Hi-Temp Wash | Yes |
| NSF® Certified Sanitize Rinse | |
| Delay Start | 2-4-6 Hour |
| Rack System | |
| Rack Design/Rack Coating | Standard/PVC |
| Upper Rack - | |
| Stemware/Champagne Glass Holders | |
| Fold-Down Tines | |
| Cup Shelves | |
| Lower Rack - | |
| SpaceWise® Silverware Basket | Standard |
| Fold-Down Tines | |
| Small Items Cover | |
| Certifications | |
| ENERGY STAR® | |
| NSF® International Certification | |
| Specifications | |
| Water Inlet Location | Left Bottom Front |
| Water Usage (Gallons) | 6.0 |
| Water Pressure (PSI) | 20 - 120 |
| Integral Air Gap on Supply | Yes |
| Leveling Legs | 4 |
| Power Supply Connection Location | Right Bottom Front |
| Voltage Rating | 120V / 60 Hz / 15A |
| Connected Load (kW Rating) @ 120 Volts¹ | 1.44 |
| Amps @ 120 Volts | 10 |
| Shipping Weight (Approx.) | 64 Lbs. |

¹For use on adequately wired 120V, dedicated circuit having 2-wire service with a separate ground wire. Appliance must be grounded for safe operation.



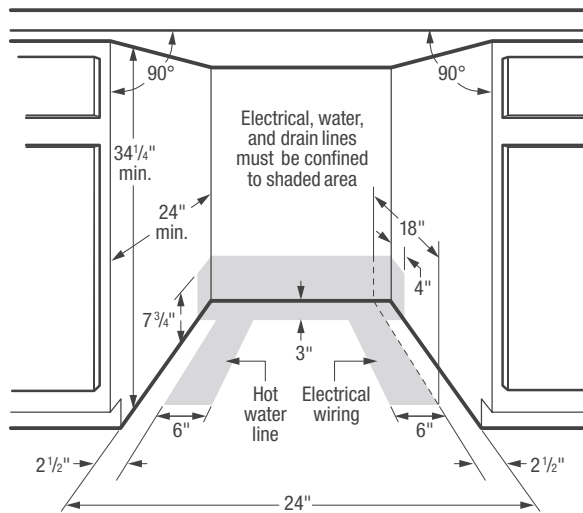
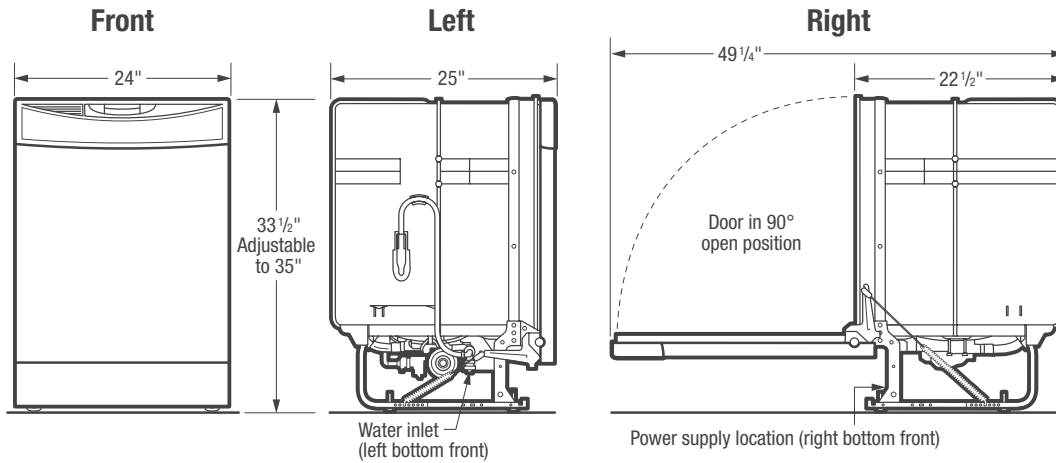
NOTE: For planning purposes only. Always consult local and national electric and plumbing codes. Refer to Product Installation Guide for detailed installation instructions on the web at frigidaire.com.



Meets requirements of ASSE 1006

| Product Dimensions | | Cutout Dimensions | |
|----------------------------|-------------|-------------------|---------|
| A - Height (Adjustable) | 33-1/2"-35" | Height (Min.) | 34-1/4" |
| B - Width | 24" | Height (Max.) | 35-1/4" |
| C - Depth (Including Door) | 25" | Width (Min.) | 24" |
| D - Depth (To Tub Flange) | 22-1/2" | Depth (Min.) | 24" |
| Depth with Door Open 90° | 49-1/4" | | |

Accessories information available on the web at frigidaire.com



Dishwasher Specifications

- Product Shipping Weight (approx.) - 64 Lbs.
- Voltage Rating - 120V / 60 Hz / 15 Amps (*maximum 20 Amps if connected with disposer*)
- Connected Load (kW Rating) @ 120 Volts = 1.44 kW (For use on adequately wired 120V, dedicated circuit having 2-wire service with a separate ground wire. Appliance must be grounded for safe operation.)
- Amps @ 120V = 10 Amps
- Always consult local and national electric & plumbing codes. Meets requirements of ASSE 1006 – integral air gap on supply.
- Water Pressure - Hot water line to dishwasher must provide between 20 and 120 pounds per square inch (psi) with at least 120° F hot water temperature.
- Make sure location has correct drain, water and electrical outlets to make connections.
- Electrical and water supplies should enter cabinet opening on floor, or through back or side walls, as shown in shaded areas.
- Keep back free of drain, water & electrical supply.

- Connections preferably located toward left side of dishwasher. Do not cross drain, water or electrical lines in front of motor, blower or frame.
- If connecting drain hose to sink trap, local code may require installation of Air Gap Kit (*not included*).
- Leveling legs supplied to adjust height.
- When installing adjacent to wall, cabinet or other obstruction that extends beyond front edge of unit, allow 2" minimum clearance between opened door and obstruction.
- Floor should be flat and free of obstructions.
- When installing at end of cabinet line, sides and back must be fully enclosed.
- Do not install unit under a cooktop, damage will occur.
- Recommended to seal cabinets, enclosing all sides of dishwasher, including underside of countertop, with oil-based paint or moisture-proof polyurethane to prevent possible steam/moisture damage.

Note: For planning purposes only. Refer to Product Installation Guide on the web at frigidaire.com for detailed instructions.